



Data Sheet

# Hydrostatic Transmission 3232 and 4141



**Introduction:**

For more than 40 years, Danfoss Power Solutions has been developing state-of-the-art components and systems for mobile machinery used in off-highway operations around the world. We have become a preferred supplier by offering the best of what really matters: The hardware inside your vehicle application.

The 3232 and 4141 were designed as one housing style transmission. Both 3232 and 4141 can be used in the same mechanical transmissions using the same shaft distances. This design helps with higher life and performance in the same package and is well suited for agriculture machines.

**Features:**

**Designed for Durability and Flexibility**

- Proven and optimized 9 piston rotating group
- Compact one housing design
- Longer life kit and higher duty capability in the most compact design in its class
- Optimized for short shaft center line distance
- Robust Cylinderblock, Piston material and Valveplate

**Installation and Packaging benefits**

- Optimized for short distance between shaft center lines
- Pump and motor in single housing
- Easy-mountable pad for external suction filter
- Reduced noise

**Controls**

- Direct Displacement Control (DDC)
- Low operating force
- Smooth operational feeling realized by low vibration

**Options**

- Orifice to increase neutral deadband
- Allows customized shaft design

**Technical Specifications**

*Physical properties*

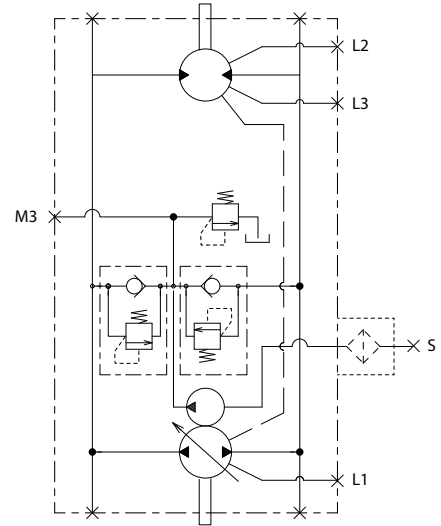
Features	Unit	3232	4141
Pump Displacement	cm <sup>3</sup> [in <sup>3</sup> ]	0 - 31.5 [0 - 1.92]	0 - 40.9 [0 - 2.50]
Motor Displacement	cm <sup>3</sup> [in <sup>3</sup> ]	31.5 [1.92]	40.9 [2.50]
Weight, (dry)	kg [lb]	22 [48.5]	29.5 [65.0]

*Operating Parameters*

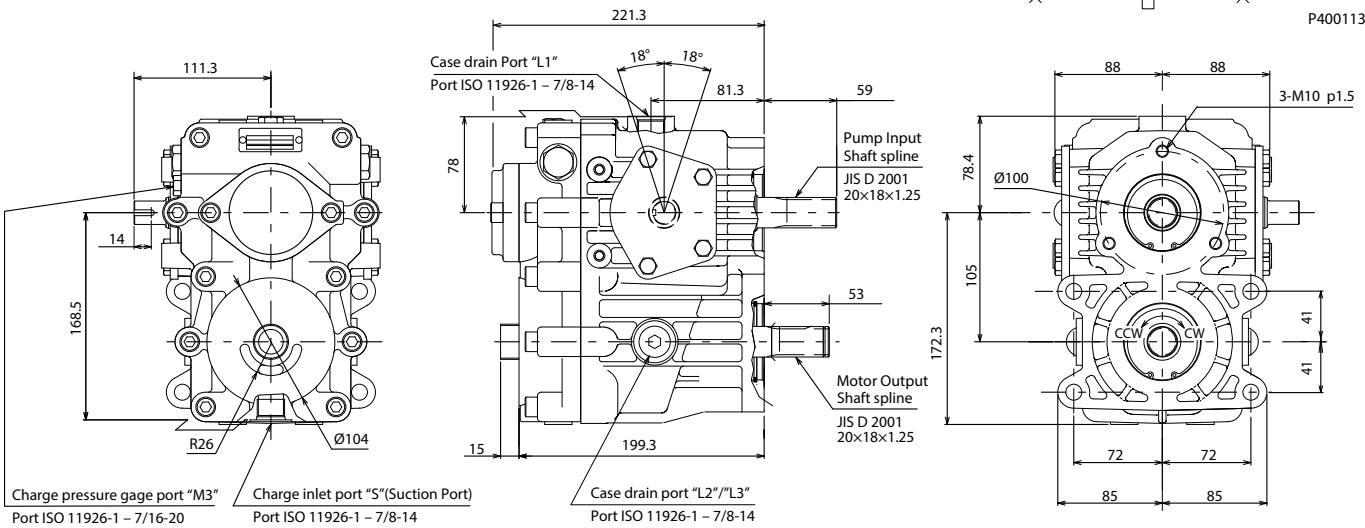
Features	Unit	3232	4141
Input Speed	Rated	3200	3200
	Maximum	3400	3400
System Pressure	Maximum Working Pressure*	300 [4350]	300 [4350]
	Maximum Pressure	345 [5000]	345 [5000]

\*Applied pressures above maximum working pressure requires Danfoss application approval.

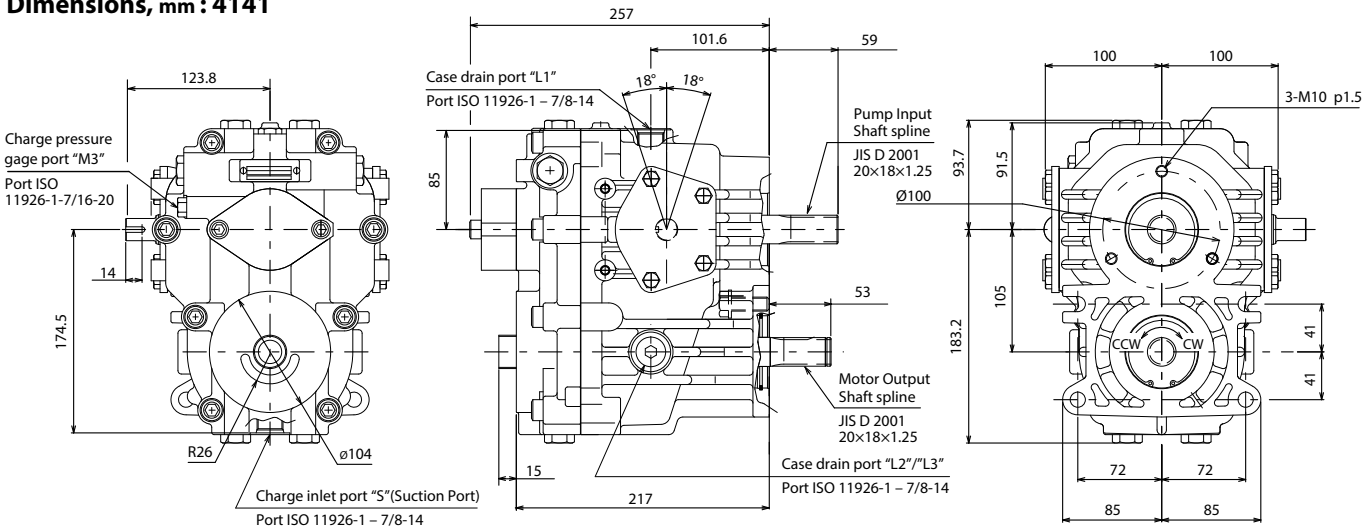
**Schematic**



**Dimensions, mm : 3232**



**Dimensions, mm : 4141**



**Danfoss Power Solutions US Company**  
 2800 East 13th Street  
 Ames, IA 50010, USA  
 Phone: +1 515 239 6000

**Danfoss Power Solutions GmbH & Co. OHG**  
 Krokamp 35  
 D-24539 Neumünster, Germany  
 Phone: +49 4321 871 0

**Danfoss Power Solutions ApS**  
 Nordborgvej 81  
 DK-6430 Nordborg, Denmark  
 Phone: +45 7488 2222

**Danfoss Power Solutions**  
 22F, Block C, Yishan Rd  
 Shanghai 200233, China  
 Phone: +86 21 3418 5200

Danfoss can accept no responsibility for possible errors in catalogues, brochures and other printed material. Danfoss reserves the right to alter its products without notice. This also applies to products already on order provided that such alterations can be made without subsequent changes being necessary in specifications already agreed. All trademarks in this material are property of the respective companies. Danfoss and the Danfoss logotype are trademarks of Danfoss A/S. All rights reserved.